

## IMPORTANT NOTICE

The following document is NOT comprehensive for design, bidding, or installation when used in isolation. Please refer to all related documents in their entirety for complete information regarding this ACM panel system. Such documents include, but may not be limited to, Technical Guides, Architectural Color Chart, Approved Materials List, Systems Guides, Technical Bulletins, Technical Data Sheets, CAD Drawings, Specifications, and Submittals. Visit [LaminatorsInc.com](http://LaminatorsInc.com) for information on the latest documents regarding this panel system.

## INSTALLATION GUIDE ERRATA – ROUT & RETURN

1. [Effective 2/7/2020] Modify Page 6, Step 7 as follows:
  - This step is to be omitted. No fasteners are to be installed in reinforcing angles (Part No. 44DS-ANGLE)

## CONTACT US

To consult directly with one of our Professional Engineers regarding our ACM panel systems, contact Laminators Technical Support between the hours of 8:00am – 5:00pm EST:

800.523.2347  
[LaminatorsInc.com](http://LaminatorsInc.com)  
[engineering@laminatorsinc.com](mailto:engineering@laminatorsinc.com)

## INSTRUCTIONS FOR NFPA 285 COMPLIANCE

With respect to fire performance, note the following when detailing the Rout & Return Installation System over gypsum (non-structural) sheathing:

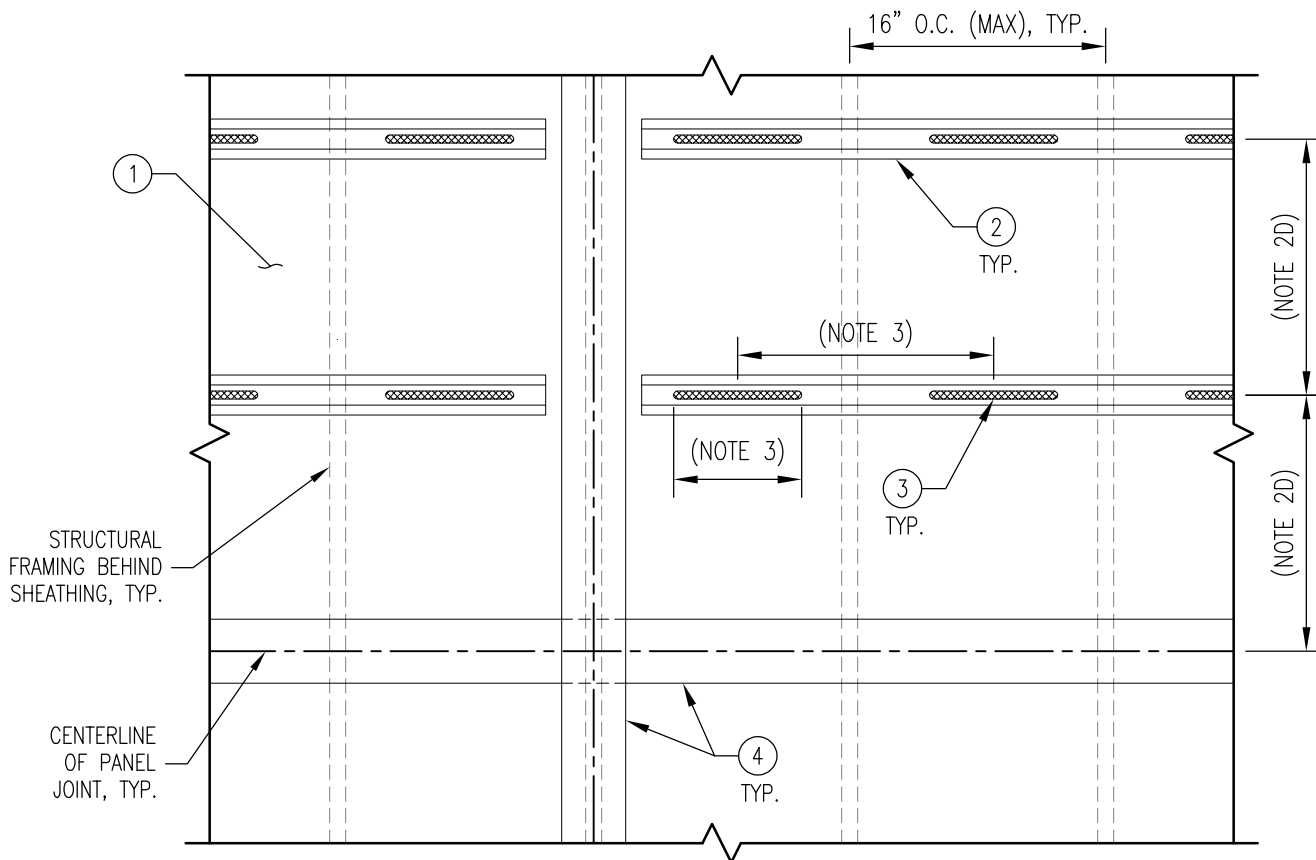
1. The following document represents the referenced system as it has been designed, detailed, and tested and its relationship with a typical exterior wall assembly. As such, the document may be considered a baseline for the system and appropriately applied to project-specific conditions.
  - a. Laminators defines the NFPA 285 Zone as the area contained within a 10'-0" height above any window by the width of the window opening. The following document does not include a partial elevation that outlines the NFPA 285 Zone and related dimensions, notes, and sections. However, in order to maintain NFPA 285 compliance, specialized detailing is still required in the NFPA 285 Zone and at window heads as follows:
    - i. All horizontal panel joints within the NFPA 285 Zone require additional fasteners per detail RR-GYP-01A or must have rivets installed per detail RR-GYP-01B.
    - ii. Additional layers of steel flashing are required at window heads per detail RR-GYP-02A.
    - iii. Vertical panel joints are not permitted above window openings within the NFPA 285 Zone. All vertical joints must align with vertical window jambs or mullions.
2. Through the use of a specific Engineering Evaluation (EEV) available from Laminators, engineering extensions may be made (in lieu of what has been tested) with respect to base wall framing, fire-stopping at floor lines, cavity insulation, and water-resistive barrier (WRB) components while maintaining NFPA 285 compliance. The EEV may be required for submission to the Authority Having Jurisdiction (AHJ) to support the extensions.
3. If one or more engineering extensions are required beyond what is provided in the EEV available from Laminators, it is the responsibility of a third-party to pursue obtaining a separate EEV that adequately addresses each intended substitution. Note that Laminators cannot serve as the third-party in efforts to obtain such an EEV.

Note that the application of any engineering extension for NFPA 285 compliance will need to be evaluated by the Design Professional of Record (DPR) with respect to potential impact on any air, structural, and water performance of the project-specific exterior wall assembly. It is possible that components substituted to achieve fire testing compliance will affect the assembly differently with respect to air, structural, and water performance and need to be coordinated.

If the Rout & Return Installation System is intended to be installed over a different substrate (e.g. fire-retardant-treated wood (FRTW) structural sheathing (panels), CMU, concrete, or Omega CI rigid insulation panels), please defer to the appropriate detail set.

DRAWING INDEX – RR-GYP DETAIL SET (Rev 01, 12/03/2020)

DWG NO.	TITLE	REV DATE	REV	CHANGE FROM PREVIOUS REV
RR-GYP-EL	Partial System Elevation	12/3/2020	01	Stiffener to joint spacing clarified; Min screw length specified
RR-GYP-ST	Panel Stiffener Detail	8/4/2020	00	
RR-GYP-01	Joint Detail	12/3/2020	01	System depth added; Min screw length specified
RR-GYP-01A	Horizontal Joint Detail (NFPA 285 Zone)	12/3/2020	01	Min screw length specified
RR-GYP-01B	Joint Detail (Rivet Option)	8/4/2020	00	
RR-GYP-02	Window Head Detail	8/4/2020	00	
RR-GYP-02A	Window Head Detail (NFPA 285 Zone)	12/3/2020	01	Min screw length specified
RR-GYP-03	Window Sill Detail	8/4/2020	00	
RR-GYP-04	Window Jamb / Vertical Edge Detail	8/4/2020	00	
RR-GYP-05	Top of Wall Detail	8/4/2020	00	
RR-GYP-06	Base of Wall (Grade) Detail	8/4/2020	00	
RR-GYP-07	Inside Corner Detail	8/4/2020	00	
RR-GYP-08	Outside Corner Detail	8/4/2020	00	
RR-GYP-09	Fascia-to-Soffit Transition Detail	8/4/2020	00	
RR-GYP-10	Soffit Vent Requirements	8/4/2020	00	



**PARTIAL SYSTEM ELEVATION  
(PANELS NOT SHOWN)**

- ① 5/8" (MAX) EXTERIOR-GRADE GYPSUM SHEATHING W/ AIR AND WATER BARRIER (AWB); TYPE OF AWB TO BE SELECTED BY DESIGN PROFESSIONAL OF RECORD
- ② PANEL STIFFENERS (7/8" HAT CHANNELS, 18 GA. MIN)
  - A. MAINTAIN 3" GAPS BETWEEN ENDS OF PANEL STIFFENERS AND PANEL EDGES FOR DRAINAGE
  - B. PANEL STIFFENERS MUST BE ORIENTED HORIZONTALLY
  - C. FASTEN STIFFENERS THROUGH SHEATHING TO STRUCTURAL FRAMING BEHIND USING (2) #10 X 1" (MIN) SELF-DRILLING SCREWS PER FRAMING MEMBER ALONG HAT CHANNEL FLANGES (REFER TO DETAIL RR-GYP-ST); STRUCTURAL FRAMING TO BE 16" O.C. (MAX)
  - D. REQUIRED PANEL STIFFENER SPACING TO BE BASED ON PROJECT SPECIFIC WIND LOADS:
    - UP TO 40 PSF (ASD): STIFFENERS REQUIRED AT 16" O.C.
- ③ 1/4" (MIN) TO 3/8" (MAX) BEAD OF LAMINATORS APPROVED PANEL ADHESIVE APPLIED TO PANEL STIFFENERS (REFER TO DETAIL RR-GYP-ST); LENGTH AND SPACING OF ADHESIVE BEADS TO BE BASED ON PROJECT SPECIFIC WIND LOADS:
  - UP TO 40 PSF (ASD): 8" ADHESIVE LENGTHS AT 16" O.C.
- ④ CONTINUOUS 4" COLD-FORMED STRAPPING (18 GA. MIN) FASTENED THROUGH SHEATHING TO STRUCTURAL FRAMING BEHIND USING (3) #8 X 1" (MIN) PPH SELF-DRILLING SCREWS PER FRAMING MEMBER
  - HORIZONTAL STRAPPING INSTALLED AT ALL HORIZONTAL PANEL JOINTS/EDGES
  - VERTICAL STRAPPING TO BE INSTALLED AT ALL VERTICAL PANEL JOINTS/EDGES; WHERE VERTICAL PANEL JOINTS DO NOT ALIGN WITH STRUCTURAL STUD FRAMING, VERTICAL STRAPPING TO BE FASTENED TO HORIZONTAL STRAPPING USING (4) #8 X 1" (MIN) PPH SELF-DRILLING SCREWS AT EACH INTERSECTION

**IMPORTANT NOTICE**

PROJECT-SPECIFIC COMPONENTS AND CLADDING WIND LOADS (REQUIRED STRENGTH,  $R_d$ ) SHALL NOT EXCEED AVAILABLE LOAD-CARRYING CAPACITY OF SYSTEM (ALLOWABLE STRENGTH,  $R_n/\Omega$ )

- A. PROJECT-SPECIFIC COMPONENTS AND CLADDING WIND LOADS ARE TO BE DETERMINED BY THE DESIGN PROFESSIONAL OF RECORD
- B. AVAILABLE LOAD-CARRYING CAPACITY OF SYSTEM (UP TO 40 PSF) IS BASED ON ALLOWABLE STRENGTH DESIGN (ASD) METHOD
- C. FOR PROJECT-SPECIFIC COMPONENTS AND CLADDING WIND LOADS GREATER THAN 40 PSF, CONTACT LAMINATORS TECHNICAL SUPPORT FOR PROJECT-SPECIFIC DETAILING REQUIREMENTS



www.LaminatorsInc.com

877.OMEGA.77

**PARTIAL SYSTEM ELEVATION**

**ROUT & RETURN INSTALLATION SYSTEM  
OVER GYPSUM (NON-STRUCTURAL) SHEATHING**

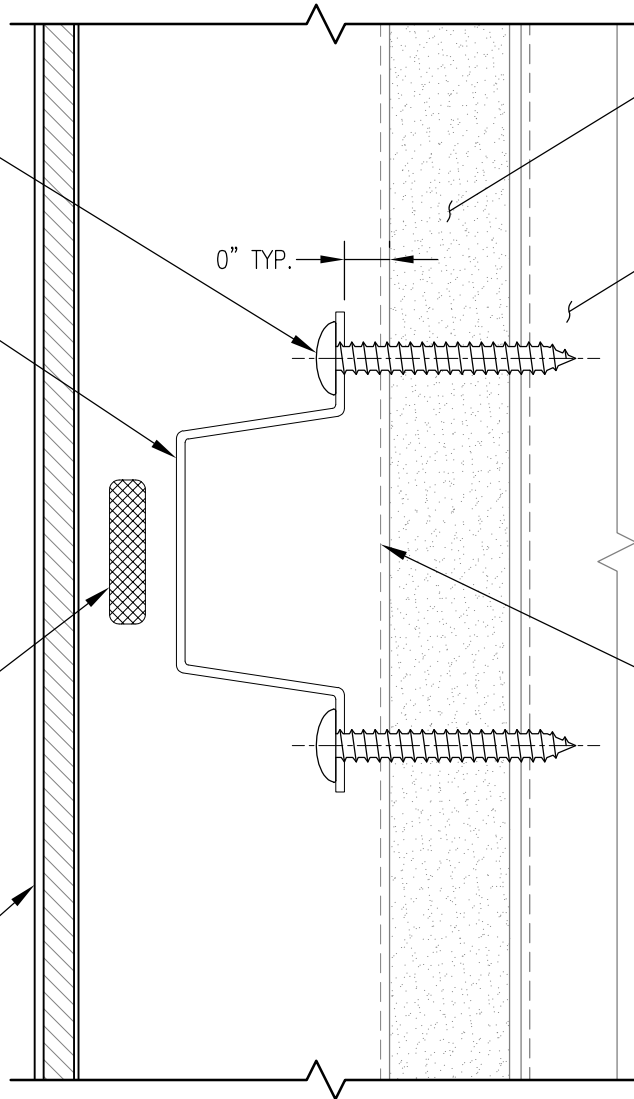
Date: 12/3/2020	Drawn By: JJM	Dwg. No.: RR-GYP-EL	Rev: 01
--------------------	------------------	------------------------	------------

SCREWS FASTENED THROUGH SHEATHING TO STRUCTURAL STUD FRAMING BEHIND (REFER TO NOTE 2C ON DETAIL RR-GYP-EL), TYP.

7/8" HAT CHANNEL (18 GA. MIN) PANEL STIFFENER; SPACING OF STIFFENERS TO BE BASED ON PROJECT SPECIFIC WIND LOADS (REFER TO NOTE 2D ON DETAIL RR-GYP-EL)

LAMINATORS APPROVED PANEL ADHESIVE APPLIED BETWEEN FACE OF HAT CHANNEL AND BACK OF PANEL; ADHESIVE APPLICATION TO BE BASED ON PROJECT SPECIFIC WIND LOADS (REFER TO NOTE 3 ON DETAIL RR-GYP-EL)

6mm OMEGA-LITE PANEL, TYP.



5/8" (MAX) EXTERIOR-GRADE, NON-STRUCTURAL (GYPSUM) SHEATHING

18 GA. (MIN) STEEL STUD FRAMING AT 16" O.C. (MAX) SPACING

AIR AND WATER BARRIER BY OTHERS

SECTION

DETAIL NOTES:

1. SPACING SHOWN BETWEEN SOME INSTALLATION SYSTEM COMPONENTS EXAGGERATED FOR CLARITY
2. PANEL STIFFENERS TO BE FASTENED TO SUBSTRATE PRIOR TO PANEL INSTALLATION; REFER TO DETAIL RR-GYP-EL FOR ADDITIONAL INFORMATION
3. FULL CONTACT OF PANEL ADHESIVE WITH BACK OF PANEL REQUIRED AT ALL APPLICATION LOCATIONS



www.LaminatorsInc.com

877.OMEGA.77

PANEL STIFFENER DETAIL

ROUT & RETURN INSTALLATION SYSTEM OVER GYPSUM (NON-STRUCTURAL) SHEATHING

Date:  
8/4/2020

Drawn By:  
JJM

Dwg. No.:  
RR-GYP-ST

Rev:  
00

ROUT & RETURN INSTALLATION SYSTEM  
(1-3/8" NOM. DEPTH)

NOTE: THIS DETAIL IS APPLICABLE TO ALL JOINTS EXCLUDING HORIZONTAL JOINTS WITHIN THE NFPA 285 ZONE

PANEL STIFFENERS NOT SHOWN FOR CLARITY (REQUIRED PANEL STIFFENING TO BE BASED ON PROJECT SPECIFIC WIND LOADS; REFER TO DETAIL RR-GYP-EL)

5/8" (MAX) EXTERIOR-GRADE, NON-STRUCTURAL (GYPSUM) SHEATHING

18 GA. (MIN) STEEL STUD FRAMING AT 16" O.C. (MAX) SPACING

0" TYP.

CONTINUOUS HORIZONTAL OR VERTICAL COLD-FORMED STRAPPING (18 GA. MIN); NOTE: ONLY (1) FASTENER SHOWN FOR CLARITY

ANGLE CLIP BEYOND (FASTENING TO COLD-FORMED STRAPPING NOT SHOWN FOR CLARITY)

LAMINATORS APPROVED FABRICATION SEALANT APPLIED TO PANEL ROUT PRIOR TO BENDING TO FORM PANEL RETURN LEG, TYP. (REFER TO LAMINATORS ROUT & RETURN INSTALLATION MANUAL)

LOW-PROFILE HEAD SCREWS FOR FASTENING ANGLE CLIPS TO COLD-FORMED STRAPPING

1/2" SEALANT JOINT W/ CLOSED-CELL BACKER ROD AND LAMINATORS APPROVED CAULK

AIR AND WATER BARRIER BY OTHERS

6mm OMEGA-LITE PANEL, TYP.

(2) #6 X 1/4" PPH SCREWS (PART NO. 13000) INSTALLED INTO PANEL AT EACH ANGLE CLIP, TYP.

ANGLE CLIPS (PART NO. 50295) INSTALLED ALONG PANEL PERIMETER, TYP.; REFER TO ANGLE CLIP INSTALLATION NOTE BELOW

ANGLE CLIP INSTALLATION:

- UP TO 40 PSF (ASD):  
INSTALL CLIPS AT 12" O.C. WITH (2) #8 X 1/2" (MIN) PPH SELF-DRILLING SCREWS PER CLIP INTO COLD-FORMED STRAPPING

DETAIL NOTES:

- SPACING SHOWN BETWEEN SOME INSTALLATION SYSTEM COMPONENTS EXAGGERATED FOR CLARITY
- REFER TO DETAILS RR-GYP-EL AND RR-GYP-ST FOR REQUIRED PANEL STIFFENER LAYOUT

SECTION



www.LaminatorsInc.com

877.OMEGA.77

JOINT DETAIL

ROUT & RETURN INSTALLATION SYSTEM OVER GYPSUM (NON-STRUCTURAL) SHEATHING

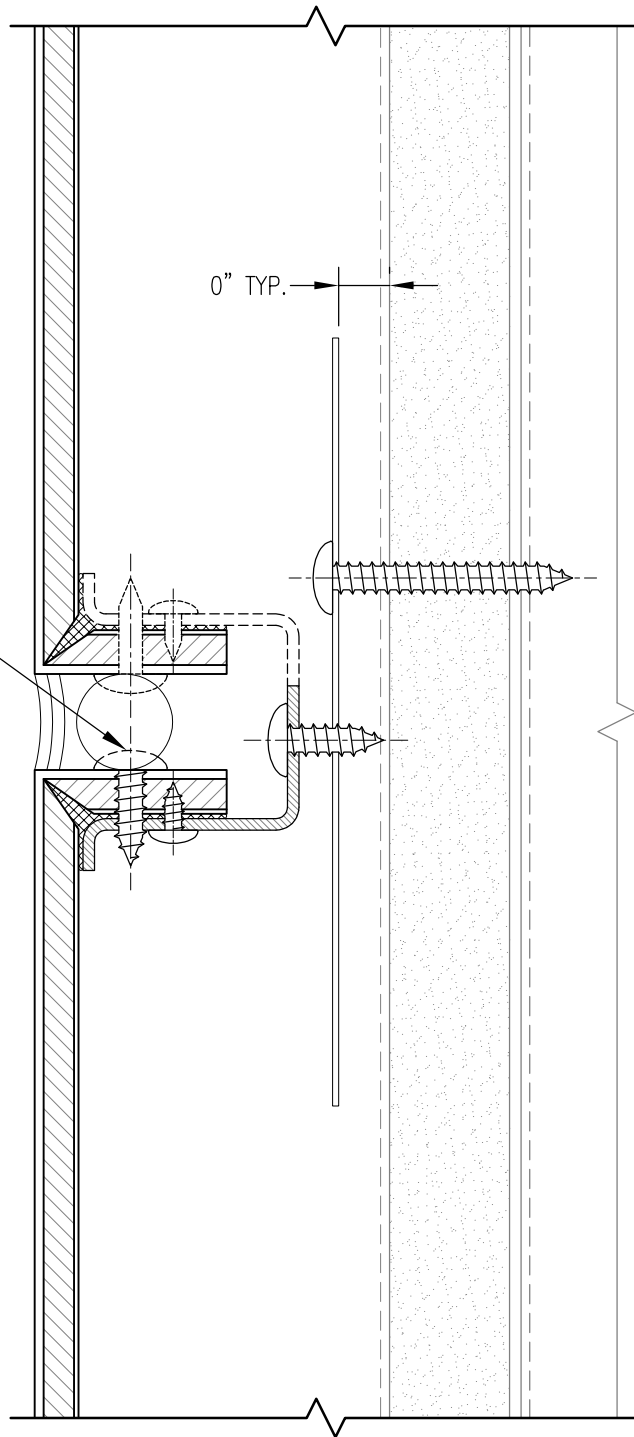
Date:  
12/3/2020

Drawn By:  
JJM

Dwg. No.:  
RR-GYP-01

Rev:  
01

(1) #8 X 3/4" (MIN) PPH  
 SELF-DRILLING SCREW INSTALLED  
 THROUGH PANEL FACE INTO ANGLE  
 CLIP, TYP; LOCATE SCREW AT  
 CENTERLINE OF PANEL RETURN LEG  
 AND ANGLE CLIP LENGTH



SECTION

DETAIL NOTES:

1. SPACING SHOWN BETWEEN SOME INSTALLATION SYSTEM COMPONENTS EXAGGERATED FOR CLARITY
2. REFER TO DETAILS RR-GYP-EL AND RR-GYP-ST FOR REQUIRED PANEL STIFFENER LAYOUT
3. REFER TO JOINT DETAIL RR-GYP-01 FOR CLIP SPACING AND TYPICAL COMPONENTS NOT ANNOTATED



www.LaminatorsInc.com

877.OMEGA.77

HORIZONTAL JOINT DETAIL (NFPA 285 ZONE)

ROUT & RETURN INSTALLATION SYSTEM  
 OVER GYPSUM (NON-STRUCTURAL) SHEATHING

Date:  
12/3/2020

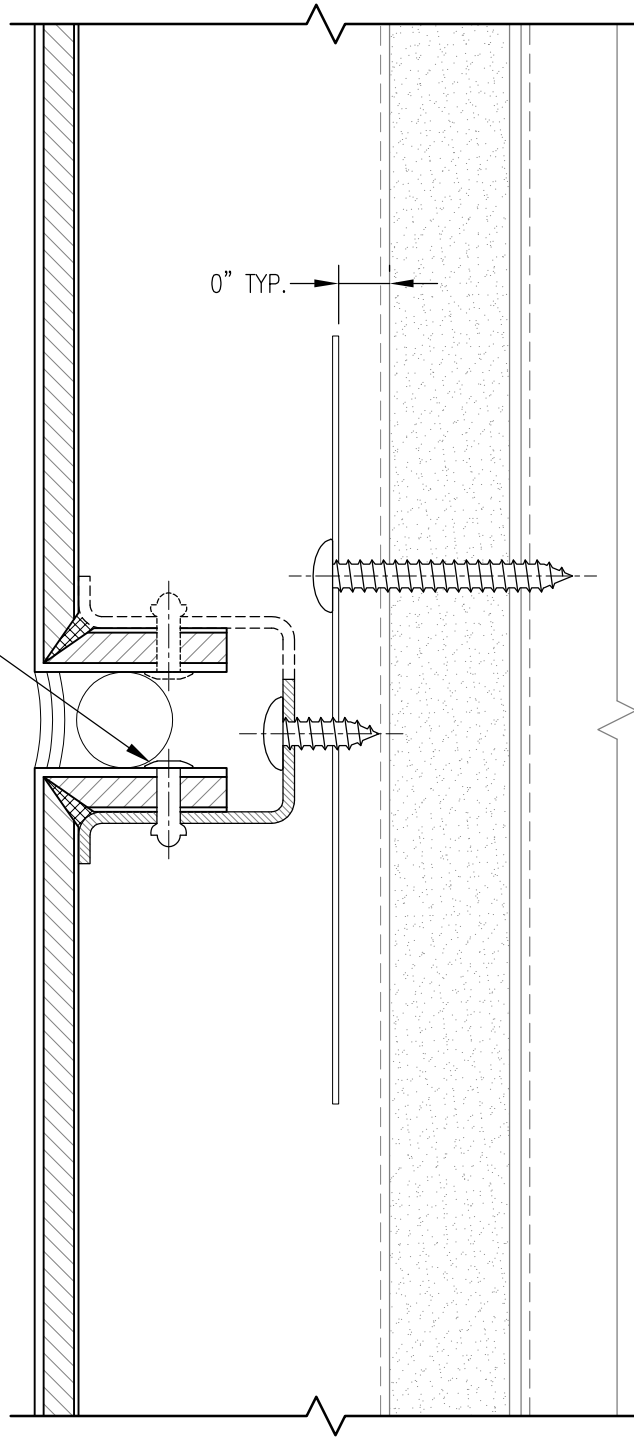
Drawn By:  
JJM

Dwg. No.:  
RR-GYP-01A

Rev:  
01

NOTE: THIS DETAIL IS APPLICABLE TO ALL JOINTS INCLUDING THOSE WITHIN THE NFPA 285 ZONE

(2) 1/8" DIA. ALUMINUM BUTTONHEAD BLIND RIVETS INSTALLED THRU PANEL AT EACH ANGLE CLIP, TYP.



SECTION

DETAIL NOTES:

1. SPACING SHOWN BETWEEN SOME INSTALLATION SYSTEM COMPONENTS EXAGGERATED FOR CLARITY
2. REFER TO DETAILS RR-GYP-EL AND RR-GYP-ST FOR REQUIRED PANEL STIFFENER LAYOUT
3. REFER TO JOINT DETAIL RR-GYP-01 FOR CLIP SPACING AND TYPICAL COMPONENTS NOT ANNOTATED



www.LaminatorsInc.com

877.OMEGA.77

JOINT DETAIL (RIVET OPTION)

ROUT & RETURN INSTALLATION SYSTEM OVER GYPSUM (NON-STRUCTURAL) SHEATHING

Date:  
8/4/2020

Drawn By:  
JJM

Dwg. No.:  
RR-GYP-01B

Rev:  
00



CONTINUOUS HORIZONTAL  
COLD-FORMED STRAPPING  
(18 GA. MIN) APPLIED ALONG  
PANEL EDGE; NOTE: ONLY (1)  
FASTENER SHOWN FOR CLARITY

ALUMINUM FLASHING BY OTHERS

AIR AND WATER BARRIER  
TO LAP OVER FLASHING  
IN SHINGLE FASHION

1/2" SEALANT JOINT W/  
CLOSED-CELL BACKER ROD AND  
LAMINATORS APPROVED SILICONE  
CAULK; PROVIDE 3/8" (MIN)  
GAPS AT 24" O.C. FOR VENTING  
AND DRAINAGE

HORIZONTAL LEG OF  
FLASHING TO EXTEND  
TO FACE OF PANEL;  
DRIP EDGE (OPTIONAL)

COORDINATE TERMINATION OF  
FLASHING WITH WINDOW  
SYSTEM; WATER CONTROLS AT  
INTERFACE BY OTHERS

WINDOW SYSTEM BY OTHERS

**DETAIL NOTES:**

1. SPACING SHOWN BETWEEN SOME INSTALLATION SYSTEM COMPONENTS EXAGGERATED FOR CLARITY
2. REFER TO DETAILS RR-GYP-EL AND RR-GYP-ST FOR REQUIRED PANEL STIFFENER LAYOUT
3. REFER TO JOINT DETAIL RR-GYP-01 FOR CLIP SPACING AND TYPICAL COMPONENTS NOT ANNOTATED

**SECTION**



OMEGA PANEL PRODUCTS Ω

LAMINATORS INC.

www.LaminatorsInc.com

877.OMEGA.77

WINDOW HEAD DETAIL

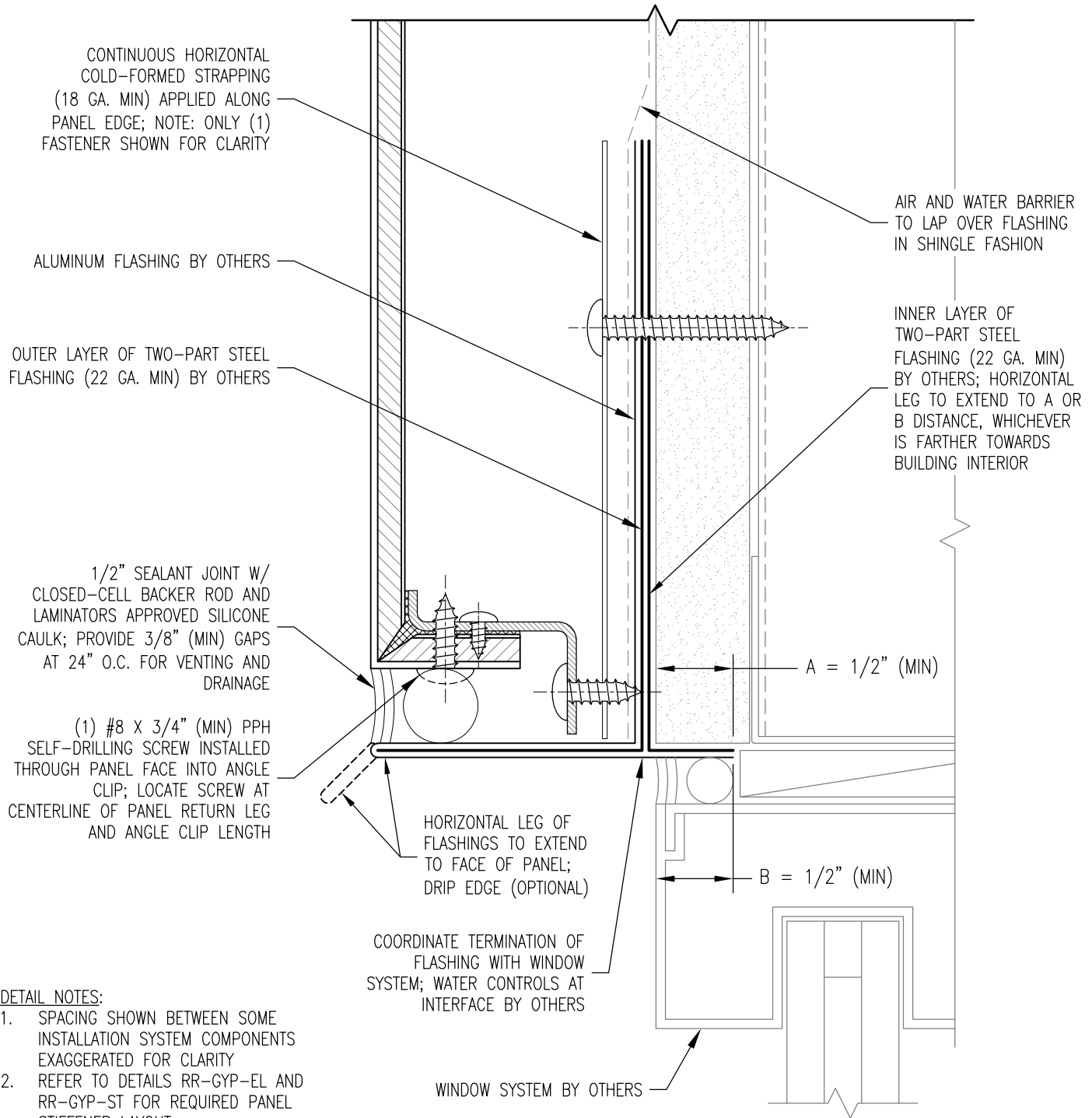
ROUT & RETURN INSTALLATION SYSTEM  
OVER GYPSUM (NON-STRUCTURAL) SHEATHING

Date:  
8/4/2020

Drawn By:  
JJM

Dwg. No.:  
RR-GYP-02

Rev:  
00



**DETAIL NOTES:**

1. SPACING SHOWN BETWEEN SOME INSTALLATION SYSTEM COMPONENTS EXAGGERATED FOR CLARITY
2. REFER TO DETAILS RR-GYP-EL AND RR-GYP-ST FOR REQUIRED PANEL STIFFENER LAYOUT
3. REFER TO JOINT DETAIL RR-GYP-01 FOR CLIP SPACING AND TYPICAL COMPONENTS NOT ANNOTATED

**SECTION**



www.LaminatorsInc.com

877.OMEGA.77

WINDOW HEAD DETAIL (NFPA 285 ZONE)

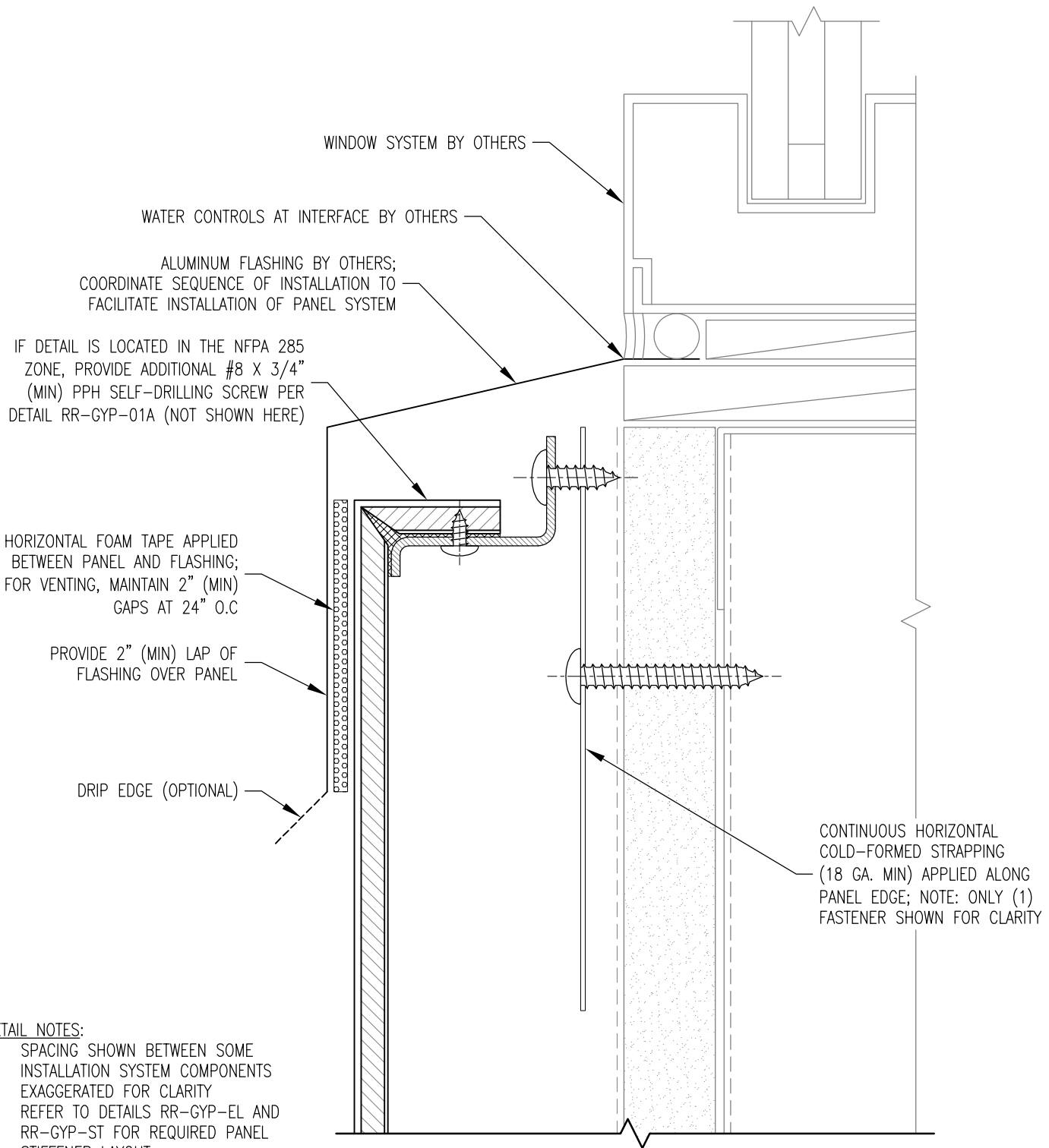
ROUT & RETURN INSTALLATION SYSTEM  
OVER GYPSUM (NON-STRUCTURAL) SHEATHING

Date:  
12/3/2020

Drawn By:  
JJM

Dwg. No.:  
RR-GYP-02A

Rev:  
01



IF DETAIL IS LOCATED IN THE NFPA 285 ZONE, PROVIDE ADDITIONAL #8 X 3/4" (MIN) PPH SELF-DRILLING SCREW PER DETAIL RR-GYP-01A (NOT SHOWN HERE)

HORIZONTAL FOAM TAPE APPLIED BETWEEN PANEL AND FLASHING; FOR VENTING, MAINTAIN 2" (MIN) GAPS AT 24" O.C

PROVIDE 2" (MIN) LAP OF FLASHING OVER PANEL

DRIP EDGE (OPTIONAL)

CONTINUOUS HORIZONTAL COLD-FORMED STRAPPING (18 GA. MIN) APPLIED ALONG PANEL EDGE; NOTE: ONLY (1) FASTENER SHOWN FOR CLARITY

**SECTION**

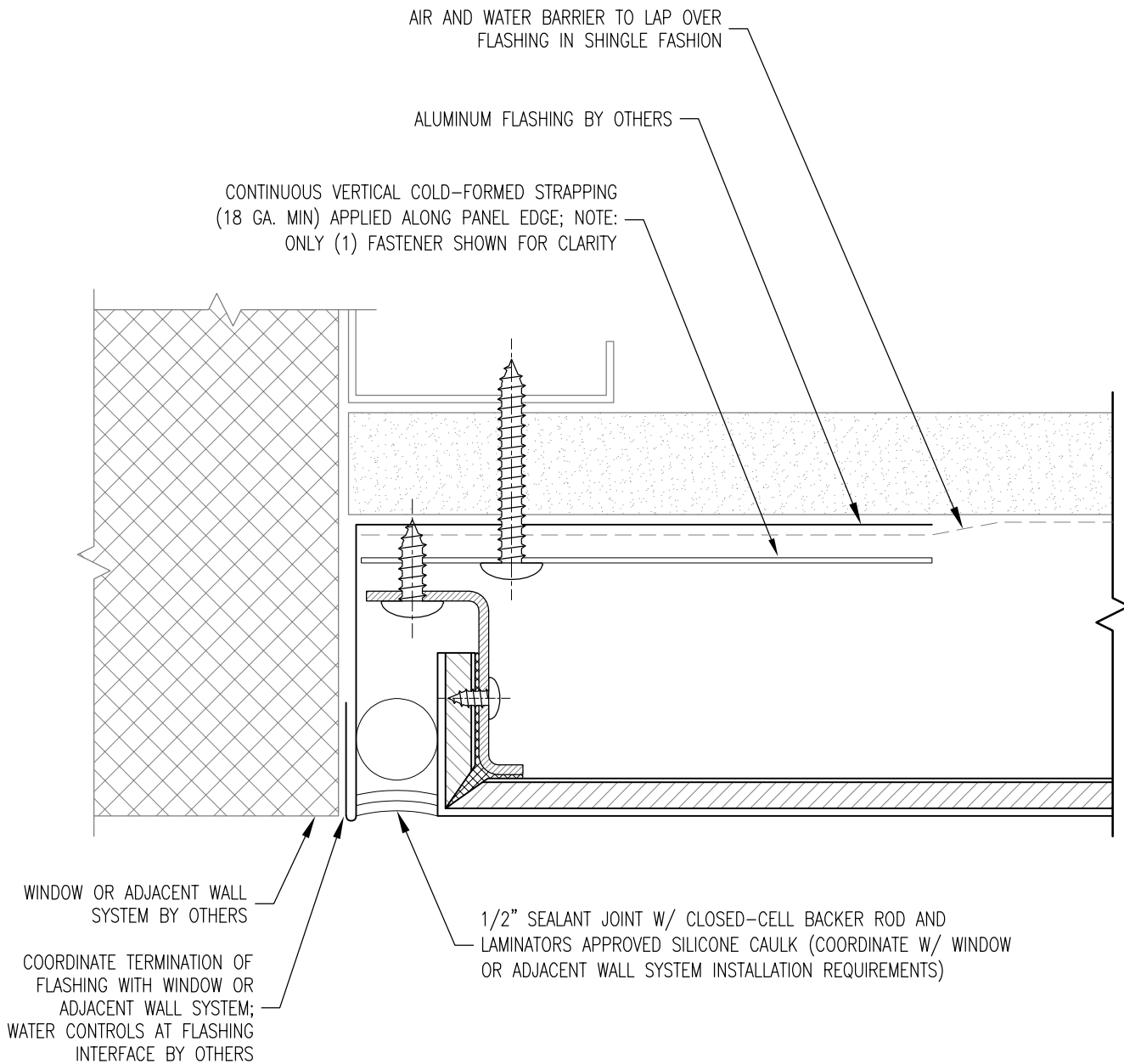
**DETAIL NOTES:**

1. SPACING SHOWN BETWEEN SOME INSTALLATION SYSTEM COMPONENTS EXAGGERATED FOR CLARITY
2. REFER TO DETAILS RR-GYP-EL AND RR-GYP-ST FOR REQUIRED PANEL STIFFENER LAYOUT
3. REFER TO JOINT DETAIL RR-GYP-01 FOR CLIP SPACING AND TYPICAL COMPONENTS NOT ANNOTATED



**WINDOW SILL DETAIL**  
**ROUT & RETURN INSTALLATION SYSTEM**  
**OVER GYPSUM (NON-STRUCTURAL) SHEATHING**

Date: 8/4/2020	Drawn By: JJM	Dwg. No.: RR-GYP-03	Rev: 00
-------------------	------------------	------------------------	------------



**PLAN SECTION**

**DETAIL NOTES:**

1. SPACING SHOWN BETWEEN SOME INSTALLATION SYSTEM COMPONENTS EXAGGERATED FOR CLARITY
2. REFER TO DETAILS RR-GYP-EL AND RR-GYP-ST FOR REQUIRED PANEL STIFFENER LAYOUT
3. REFER TO JOINT DETAIL RR-GYP-01 FOR CLIP SPACING AND TYPICAL COMPONENTS NOT ANNOTATED



www.LaminatorsInc.com

877.OMEGA.77

WINDOW JAMB / VERTICAL EDGE DETAIL  
 ROUT & RETURN INSTALLATION SYSTEM  
 OVER GYPSUM (NON-STRUCTURAL) SHEATHING

Date: 8/4/2020	Drawn By: JJM	Dwg. No.: RR-GYP-04	Rev: 00
-------------------	------------------	------------------------	------------

METAL COPING AND BLOCKING  
BY OTHERS; COORDINATE  
SEQUENCING TO FACILITATE  
PANEL SYSTEM INSTALLATION

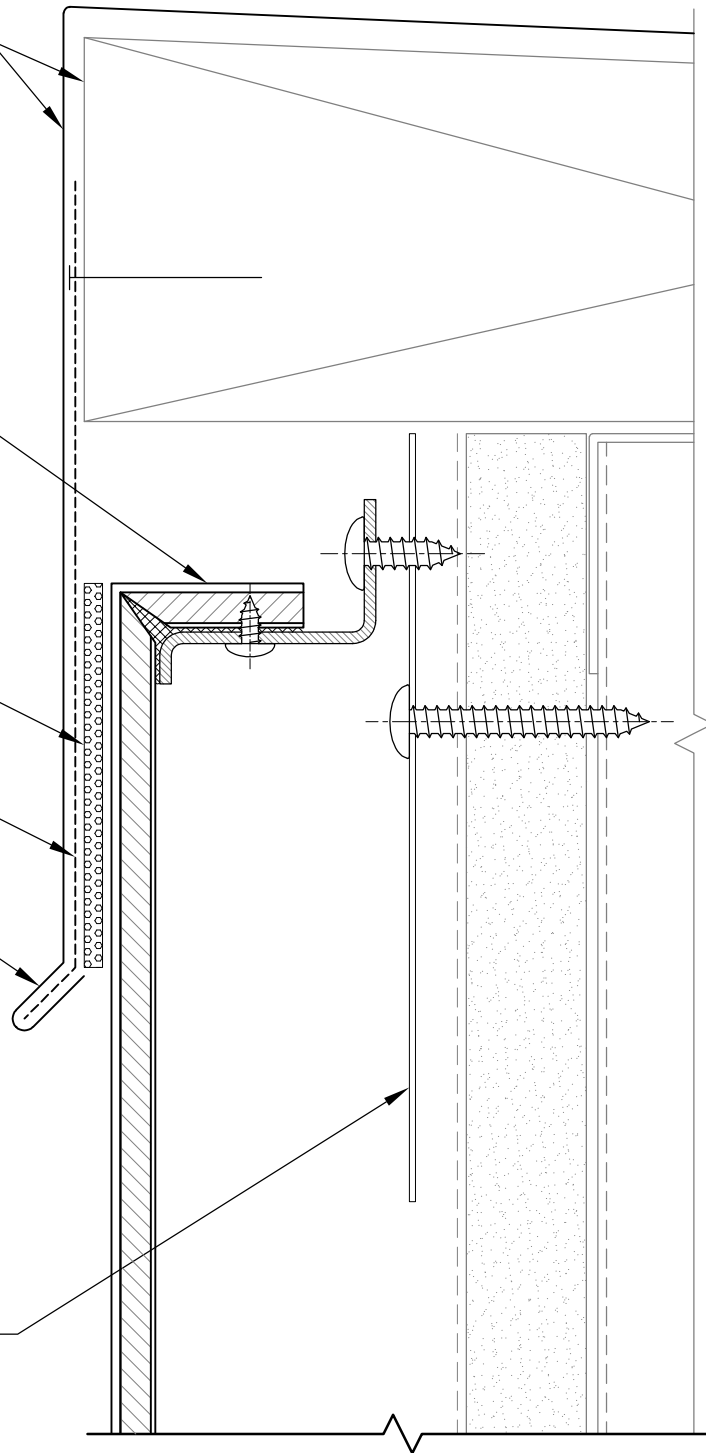
IF DETAIL IS LOCATED IN THE  
NFPA 285 ZONE, PROVIDE  
ADDITIONAL #8 X 3/4" (MIN)  
PPH SELF-DRILLING SCREW  
PER DETAIL RR-GYP-01A  
(NOT SHOWN HERE)

HORIZONTAL FOAM TAPE APPLIED  
BETWEEN PANEL AND COPING;  
FOR VENTING, MAINTAIN 2" (MIN)  
GAPS AT 24" O.C

PROVIDE 2" (MIN) LAP OF  
COPING OVER PANEL

DRIP EDGE (OPTIONAL)

CONTINUOUS HORIZONTAL  
COLD-FORMED STRAPPING  
(18 GA. MIN) APPLIED ALONG  
PANEL EDGE; NOTE: ONLY (1)  
FASTENER SHOWN FOR CLARITY



**DETAIL NOTES:**

1. SPACING SHOWN BETWEEN SOME INSTALLATION SYSTEM COMPONENTS EXAGGERATED FOR CLARITY
2. REFER TO DETAILS RR-GYP-EL AND RR-GYP-ST FOR REQUIRED PANEL STIFFENER LAYOUT
3. REFER TO JOINT DETAIL RR-GYP-01 FOR CLIP SPACING AND TYPICAL COMPONENTS NOT ANNOTATED

**SECTION**



www.LaminatorsInc.com

877.OMEGA.77

**TOP OF WALL DETAIL**

**ROUT & RETURN INSTALLATION SYSTEM  
OVER GYPSUM (NON-STRUCTURAL) SHEATHING**

Date:  
8/4/2020

Drawn By:  
JJM

Dwg. No.:  
RR-GYP-05

Rev:  
00

CONTINUOUS HORIZONTAL  
COLD-FORMED STRAPPING  
(18 GA. MIN) APPLIED ALONG  
PANEL EDGE; NOTE: ONLY (1)  
FASTENER SHOWN FOR CLARITY

AIR AND WATER BARRIER  
TO LAP OVER METAL  
BASE FLASHING IN  
SHINGLE FASHION

ALUMINUM FLASHING BY  
OTHERS; COORDINATE W/  
INSTALLATION REQUIREMENTS  
FOR INTERFACE WITH GRADE  
CONDITIONS

1/2" SEALANT JOINT W/  
CLOSED-CELL BACKER ROD  
AND LAMINATORS APPROVED  
SILICONE CAULK; PROVIDE  
3/8" (MIN) GAPS AT 24" O.C.  
FOR VENTING AND DRAINAGE

GRADE

CONTINUOUS BUTYL  
SEALANT BETWEEN METAL  
FLASHING AND GRADE

**DETAIL NOTES:**

1. SPACING SHOWN BETWEEN SOME INSTALLATION SYSTEM COMPONENTS EXAGGERATED FOR CLARITY
2. REFER TO DETAILS RR-GYP-EL AND RR-GYP-ST FOR REQUIRED PANEL STIFFENER LAYOUT
3. REFER TO JOINT DETAIL RR-GYP-01 FOR CLIP SPACING AND TYPICAL COMPONENTS NOT ANNOTATED

**SECTION**



OMEGA PANEL PRODUCTS Ω

LAMINATORS INC.

www.LaminatorsInc.com

877.OMEGA.77

**BASE OF WALL (GRADE) DETAIL**

**ROUT & RETURN INSTALLATION SYSTEM  
OVER GYPSUM (NON-STRUCTURAL) SHEATHING**

Date:  
8/4/2020

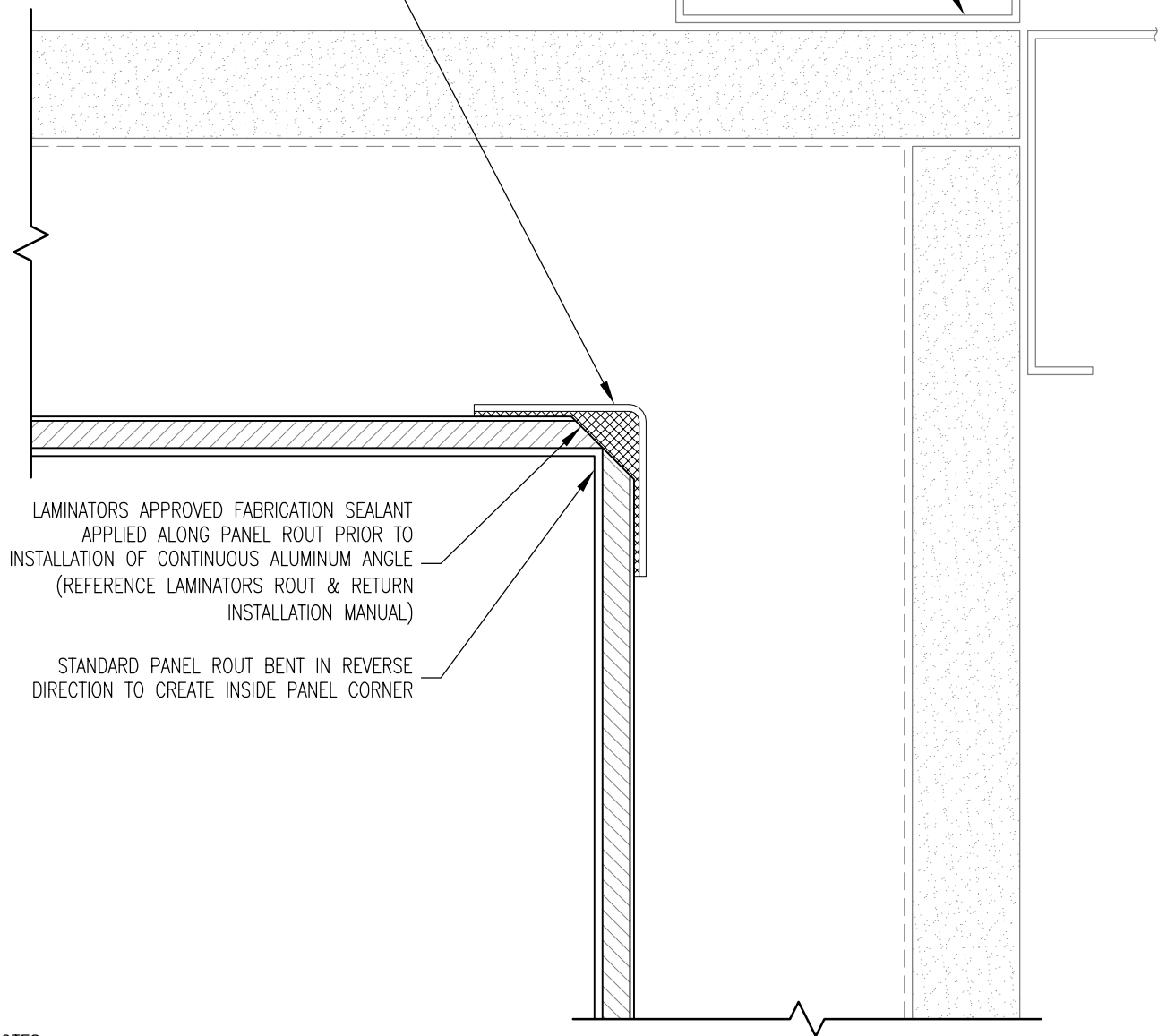
Drawn By:  
JJM

Dwg. No.:  
RR-GYP-06

Rev:  
00

CONTINUOUS 1" X 1" X 0.060" ALUMINUM ANGLE (PART NO. 44DS-ANGLE) INSTALLED ALONG LENGTH OF INSIDE PANEL CORNER; ANGLE TO BE SET IN FULL BED OF FABRICATION SEALANT

STRUCTURAL FRAMING MEMBER, TYP.



LAMINATORS APPROVED FABRICATION SEALANT APPLIED ALONG PANEL ROUT PRIOR TO INSTALLATION OF CONTINUOUS ALUMINUM ANGLE (REFERENCE LAMINATORS ROUT & RETURN INSTALLATION MANUAL)

STANDARD PANEL ROUT BENT IN REVERSE DIRECTION TO CREATE INSIDE PANEL CORNER

PLAN SECTION

DETAIL NOTES:

1. SPACING SHOWN BETWEEN SOME INSTALLATION SYSTEM COMPONENTS EXAGGERATED FOR CLARITY
2. REFER TO DETAILS RR-GYP-EL AND RR-GYP-ST FOR REQUIRED PANEL STIFFENER LAYOUT
3. REFER TO JOINT DETAIL RR-GYP-01 FOR CLIP SPACING AND TYPICAL COMPONENTS NOT ANNOTATED

NOTE: THIS DETAIL IS ALSO APPLICABLE FOR SOFFIT-TO-WALL TRANSITIONS



www.LaminatorsInc.com

877.OMEGA.77

INSIDE CORNER DETAIL

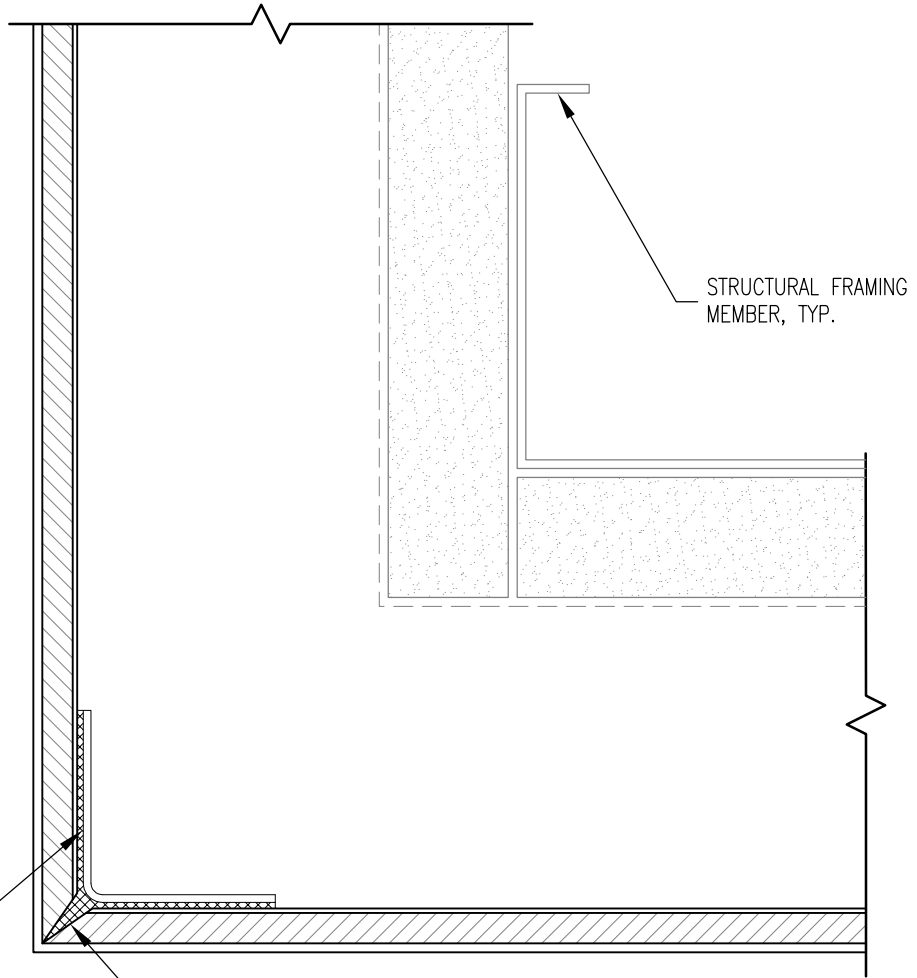
ROUT & RETURN INSTALLATION SYSTEM OVER GYPSUM (NON-STRUCTURAL) SHEATHING

Date:  
8/4/2020

Drawn By:  
JJM

Dwg. No.:  
RR-GYP-07

Rev:  
00



STRUCTURAL FRAMING MEMBER, TYP.

CONTINUOUS 1" X 1" X 0.060" ALUMINUM ANGLE (PART NO. 44DS-ANGLE) INSTALLED ALONG LENGTH OF OUTSIDE PANEL CORNER; ANGLE TO BE SET IN FULL BED OF FABRICATION SEALANT

LAMINATORS APPROVED FABRICATION SEALANT APPLIED TO PANEL ROUT PRIOR TO BENDING TO FORM PANEL CORNER, TYP. (REFERENCE LAMINATORS ROUT & RETURN INSTALLATION MANUAL)

**PLAN SECTION**

**DETAIL NOTES:**

1. SPACING SHOWN BETWEEN SOME INSTALLATION SYSTEM COMPONENTS EXAGGERATED FOR CLARITY
2. REFER TO DETAILS RR-GYP-EL AND RR-GYP-ST FOR REQUIRED PANEL STIFFENER LAYOUT
3. REFER TO JOINT DETAIL RR-GYP-01 FOR CLIP SPACING AND TYPICAL COMPONENTS NOT ANNOTATED

**NOTE: REFER TO DETAIL RR-GYP-09 FOR FASCIA-TO-SOFFIT TRANSITIONS**



www.LaminatorsInc.com

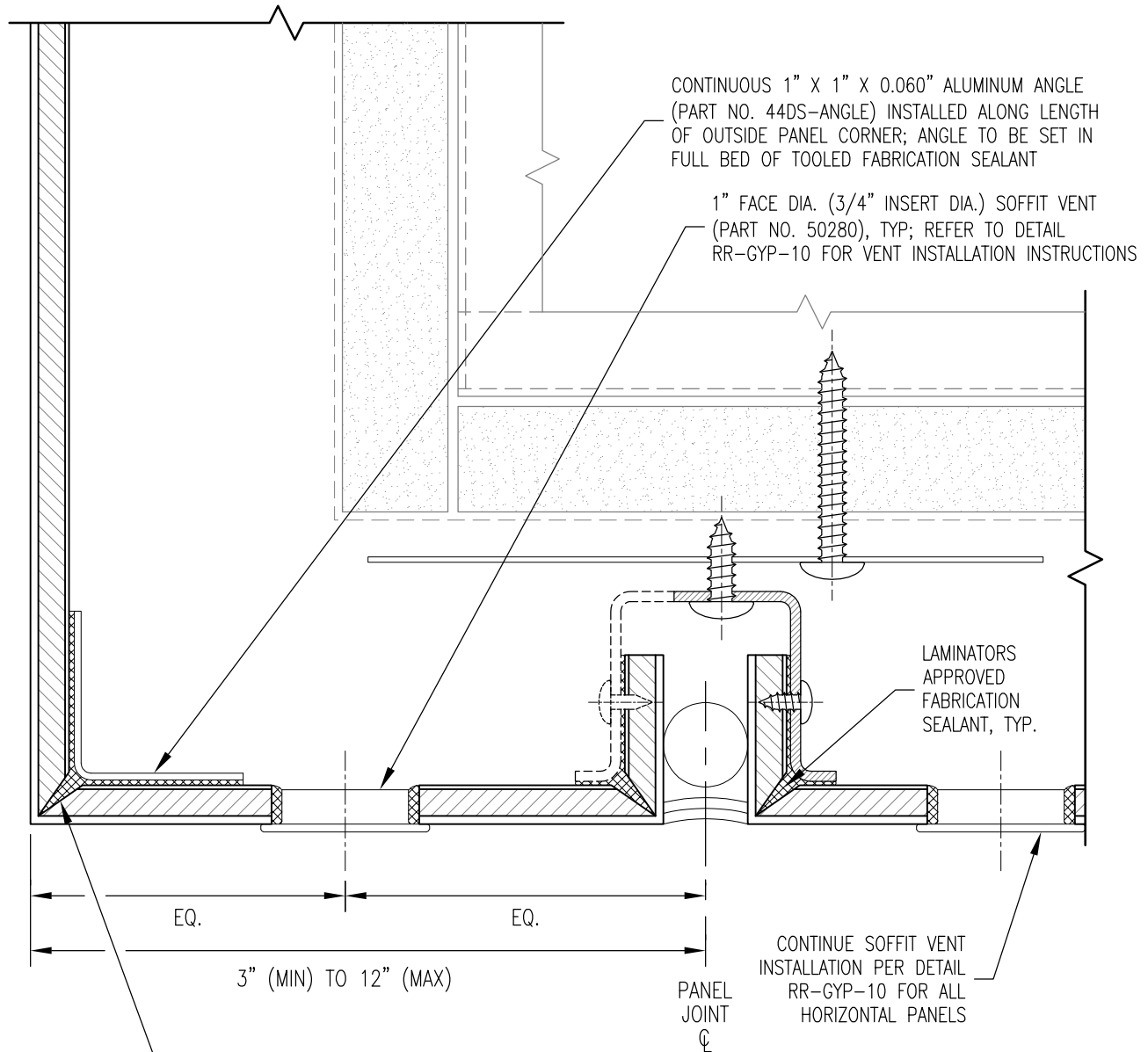
877.OMEGA.77

**OUTSIDE CORNER DETAIL**

**ROUT & RETURN INSTALLATION SYSTEM OVER GYPSUM (NON-STRUCTURAL) SHEATHING**

Date: 8/4/2020	Drawn By: JJM	Dwg. No.: RR-GYP-08	Rev: 00
-------------------	------------------	------------------------	------------





LAMINATORS APPROVED FABRICATION SEALANT APPLIED TO PANEL ROUT PRIOR TO BENDING TO FORM PANEL CORNER, TYP. (REFERENCE LAMINATORS ROUT & RETURN INSTALLATION MANUAL)

**SECTION**

**DETAIL NOTES:**

1. SPACING SHOWN BETWEEN SOME INSTALLATION SYSTEM COMPONENTS EXAGGERATED FOR CLARITY
2. REFER TO DETAILS RR-GYP-EL AND RR-GYP-ST FOR REQUIRED PANEL STIFFENER LAYOUT
3. REFER TO JOINT DETAIL RR-GYP-01 FOR CLIP SPACING AND TYPICAL COMPONENTS NOT ANNOTATED



www.LaminatorsInc.com

877.OMEGA.77

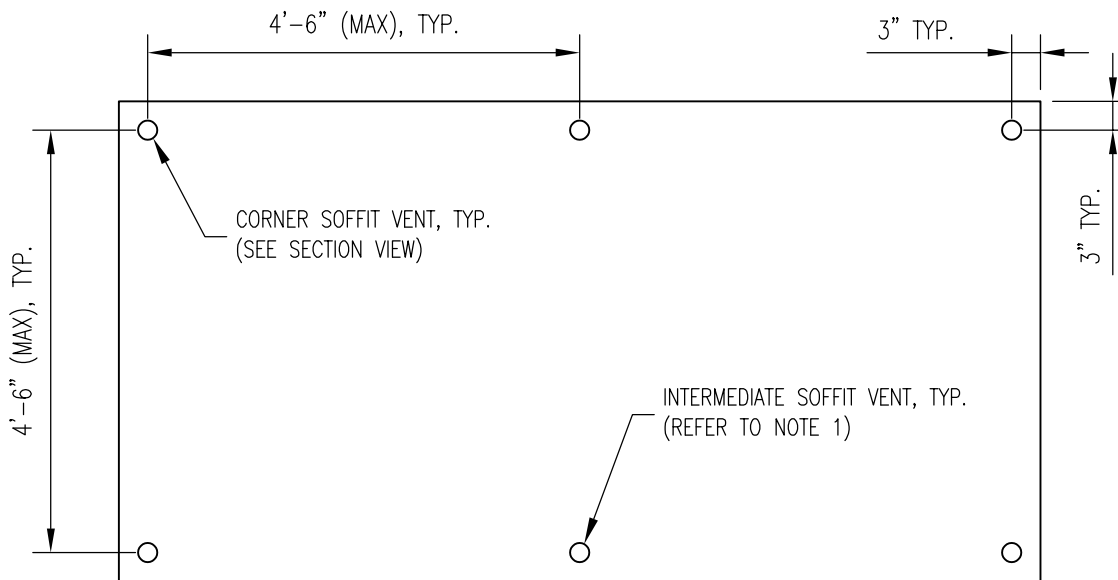
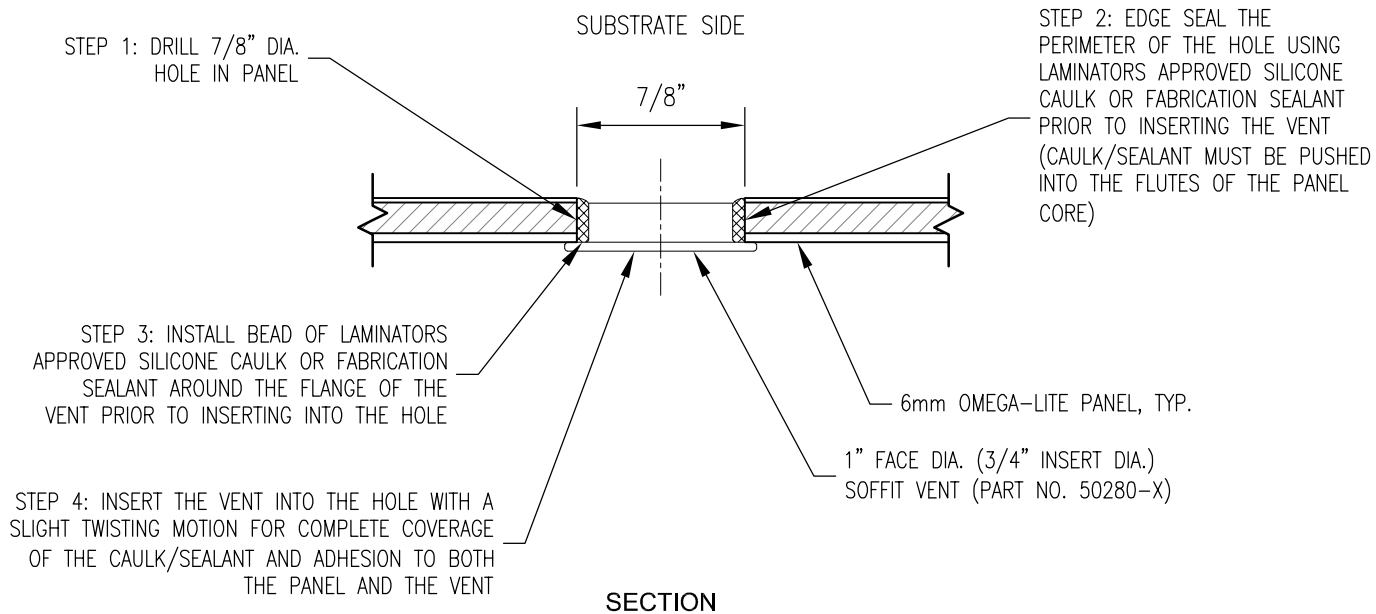
**FASCIA-TO-SOFFIT TRANSITION DETAIL**  
**ROUT & RETURN INSTALLATION SYSTEM**  
**OVER GYPSUM (NON-STRUCTURAL) SHEATHING**

Date:  
8/4/2020

Drawn By:  
JJM

Dwg. No.:  
RR-GYP-09

Rev:  
00



**DETAIL NOTES:**

1. FOR PANEL EDGE DIMENSIONS LARGER THAN 5'-0", INTERMEDIATE VENTS SHALL BE INSTALLED WITH EQUAL SPACING
2. FOR PANEL EDGE DIMENSIONS 12" AND SMALLER, A SINGLE ROW OF VENTS MAY BE INSTALLED ALONG THE CENTERLINE OF THE PANEL IN THE LONGER DIRECTION (IN PLACE OF TWO ROWS AS SHOWN ABOVE)
3. CONTACT LAMINATORS TECHNICAL SUPPORT FOR ADDITIONAL INFORMATION ON REQUIRED SOFFIT VENT INSTALLATION FOR UNIQUE PROJECT-SPECIFIC PANEL GEOMETRIES



www.LaminatorsInc.com

877.OMEGA.77

**SOFFIT VENT REQUIREMENTS**

**ROUT & RETURN INSTALLATION SYSTEM  
OVER GYPSUM (NON-STRUCTURAL) SHEATHING**

Date: 8/4/2020	Drawn By: JJM	Dwg. No.: RR-GYP-10	Rev: 00
-------------------	------------------	------------------------	------------